

TOSOT

HEAT / COOL

DAILY CHARMING, COOLING CHARMO

9,000 BTU / H WALL MOUNTED HEAT- PUMP SYSTEM

SUBMITTAL DATA: TW09HXCA1D

Job Name	Location	Date
Purchaser	Engineer	
Submitted To	For	<input type="checkbox"/> Reference <input type="checkbox"/> Approval <input type="checkbox"/> Construction
Unit Designation	Schedule No.	

**AHRI CERTIFIED REF
NO: 211497143**



SYSTEM RATINGS			INDOOR UNIT DATA	
Cooling			Fan Motor	
Rated Capacity at 95° F	9,100 BTU/H		Type	Cross-flow
Capacity Range	820-10,300BTU/H		Output Power	20W
Power Input	805 W		FLA	0.30A
Power Input (Min/Max)	180/1,350 W		Fan Speeds	7
SEER / SEER2	19.5 / 19.5		Air flow (Min/Max)	159/353 CFM
EER / EER2	11.3 / 11.3		Sound Pressure Level	
Heating			Cooling (Low/High)	26/41 dB(A)
Rated Capacity at 47° F	10,000 BTU/H		Heating (Low/High)	26/41 dB(A)
Capacity Range	2,200-12,200 BTU/H		Dehumidification	2.96 pt/hr
Power Input	781 W		OUTDOOR UNIT DATA	
Power Input (Min/Max)	150 / 1,450 W		Compressor	
HSPF/HSPF2	10.0 / 8.8		Type	DC Inverter Driven, Rotary
COP	3.75		RLA	5.20 A
			Fan Motor	
			Output Power	30 W
			RLA	0.4 A
Operating Range			Sound Pressure Level	
Cooling	(Max)	115°F (46°C)	51 dB(A)	
	(Min)	0°F (-18°C)	Refrigerant Piping Data	
Heating	(Max)	75°F (24°C)	Liquid Pipe Size (OD)	1/4-in
	(Min)	-4°F (-20°C)	Gas Pipe Size (OD)	3/8-in
Power Supply			Connection Method	Flared
Normal Operational Voltage	208/230 V, 1 Phase, 60 Hz		Factory Charge	R410A/24.7 oz
Voltage Range	v187 - 253 V		Additional Charge	0.215 oz/ft
Main Power Wire Size	14-2 AWG		Pre-Charge Length	24.6-ft
Interconnecting Cable Wire Size	14-4 AWG		MAX Refrigerant Pipe Length	65.6-ft
MCA	9 A		MIN Refrigerant Pipe Length	10-ft
MOCP/Breaker Size	15 A		MAX Refrigerant Pipe Height Difference	39.37-ft

GENERAL FEATURES

- Easy Installation and cleaning
- Self Cleaning function
- Fast Cooling With Meticulous Care
- WIFI Included
- 3D Airoutlet
- Wired Controller (Sold Separately) XK19
- 7 Indoor Fan Speeds
- Copper Tube/Aluminum Fins w/Acrylic Resin Anti-Corrosion both inside and out
- Outdoor Temperature Display
- I-FEEL Function

TOSOT.COM





FEATURES & FUNCTION SUMMARY: TW09HXCA1D

SYSTEM FEATURES	
Ultra Low Frequency Torque Control	Yes
Power Factor Correction	Yes
Compressor Type	High Eff. Rotary
Refrigerant Type	R410A
Basepan With Electric Heater	YES
Compressor With Electric Heater	YES
Indoor & Outdoor Fin Coating (Blue)	Acrylic Resin/Anti-Corrosion
Intelligent Defrosting	YES
Intelligent Preheating	YES
Low Voltage Startup	YES
Memory/Power Failure Recovery	YES
Self Diagnosis	YES
Wired Controller Interface	YES
WIFI Included	YES
Indoor Fan Type	Cross-flow
Multi Fan Speeds	7 Speeds
Indoor Unit Display	YES
Auxiliary Electrical Heater	NO
Outdoor Temperature Display	YES
Auxiliary Electrical Heater	NO
Auto Mode	YES
Auto Fan	YES
Auto Swing (Horizontal Auto Swing)	NO
Auto Swing - 180°(Vertical Auto Swing)	YES
Clock on Remote Controller	YES
Dry Mode	YES
Dry Anti-Mildew (X-Fan) Mode	NO
Energy Saving Mode	NO
Dirty Filter Alert	NO
Fan Speed Control (7 speeds)	YES
I Feel Function	YES
Privacy Lock on Remote Controller	YES
Quiet Mode	YES
Room Temperature Display	YES
Sleep Mode	YES
Sleep Modes Options	YES
Timer Mode	YES
Turbo Mode	YES
Display On/Off Control	YES
Freeze Guard Mode	NO
Power Failure Mode	YES



EXTENDED RATINGS: TW09HXCA1D

COOLING PERFORMANCE

Outdoor Ambient Temperature (DB)	Return Air Temperature																				
	68°F (DB) / 57°F (WB)					73°F (DB) / 61°F (WB)					80°F (DB) / 67°F (WB)					90°F (DB) / 73°F (WB)					
	TC (Btu/h)	SC (Btu/h)	SHR	EER	Power Input (W)	TC (Btu/h)	SC (Btu/h)	SHR	EER (Btu/(h·W))	Power Input (W)	TC (Btu/h)	SC (Btu/h)	SHR	EER (Btu/(h·W))	Power Input (W)	TC (Btu/h)	SC (Btu/h)	SHR	EER (Btu/(h·W))	Power Input (W)	
MAX OUTPUT*	0	4223	3062	73%	7.3	578	4738	3435	73%	7.5	628	5150	3734	73%	7.8	662	5562	4032	73%	8.0	695
	5	4429	3233	73%	7.5	590	4944	3609	73%	7.7	641	5356	3910	73%	7.9	675	5768	4211	73%	8.1	709
	14	4738	3482	74%	7.6	625	5253	3861	74%	7.7	680	5665	4164	74%	7.9	716	6077	4467	74%	8.1	751
	23	5253	3887	74%	7.8	673	5768	4268	74%	7.9	731	6180	4573	74%	8.0	770	6592	4878	74%	8.2	808
	32	5665	4220	75%	8.0	708	6180	4604	75%	8.0	770	6592	4911	75%	8.1	810	7004	5218	75%	8.2	851
	41	6283	4712	75%	8.2	767	6798	5099	75%	8.2	834	7210	5408	75%	8.2	878	7622	5717	75%	8.3	921
	50	6901	5210	76%	7.7	897	7416	5599	76%	7.6	975	7828	5910	76%	7.6	1026	8240	6221	76%	7.6	1077
	59	7416	5636	76%	7.9	944	7931	6028	76%	7.7	1026	8343	6341	76%	7.7	1080	8755	6654	76%	7.7	1134
	68	8549	6540	77%	8.1	1062	9064	6934	77%	7.9	1154	9476	7249	77%	7.8	1215	9888	7564	77%	7.8	1276
	77	9476	7297	77%	8.5	1121	9991	7693	77%	8.2	1218	10403	8010	77%	8.1	1283	10815	8328	77%	8.0	1347
	86	10300	7983	78%	8.9	1156	10815	8382	78%	8.6	1257	11227	8701	78%	8.5	1323	11639	9020	78%	8.4	1389
	95	9373	7311	78%	7.9	1180	9888	7713	78%	7.7	1283	10300	8034	78%	7.6	1350	10712	8355	78%	7.6	1418
	104	8343	6549	79%	6.5	1274	8858	6954	79%	6.4	1385	9270	7277	79%	6.4	1458	9682	7600	79%	6.3	1531
113	7725	6103	79%	5.7	1357	8240	6510	79%	5.6	1475	8652	6835	79%	5.6	1553	9064	7161	79%	5.6	1630	

*Maximum Output values are not based on AHRI test conditions

LEGEND:	W - Watts
	DB - Dry Bulb
	TC - Total Capacity
	SC - Sensible Capacity
	SHR - Sensible Heat Ratio
	COP - Coefficient of Performance



EXTENDED RATINGS: TW09HXCA1D

HEATING PERFORMANCE													
Outdoor Ambient Temperature (DB)	Return Air Temperature												
	70°F (DB) / 59°F (WB)			75°F (DB) / 63°F (WB)			80°F (DB) / 67°F (WB)			90°F (DB) / 73°F (WB)			
	TC (Btu/h)	COP (W/W)	Power Input (W)	TC (Btu/h)	COP (W/W)	Power Input (W)	TC (Btu/h)	COP (W/W)	Power Input (W)	TC (Btu/h)	COP (W/W)	Power Input (W)	
MAX OUTPUT*	-4°F	5856	1.07	1610	6100	1.09	1642	6344	1.11	1675	6466	1.11	1708
	0°F	7930	1.42	1639	8174	1.43	1671	8418	1.45	1705	8540	1.44	1739
	6°F	9150	1.61	1668	9394	1.62	1701	9638	1.63	1735	9760	1.62	1770
	10°F	9760	1.78	1610	10004	1.79	1642	10248	1.79	1675	10370	1.78	1708
	16°F	10858	2.00	1595	11102	2.00	1627	11346	2.00	1659	11468	1.99	1693
	19°F	10980	2.11	1523	11224	2.12	1553	11468	2.12	1584	11590	2.10	1616
	24°F	11102	2.20	1479	11346	2.20	1509	11590	2.21	1539	11712	2.19	1570
	32°F	11346	2.27	1465	11590	2.27	1494	11834	2.28	1524	11956	2.25	1554
	41°F	11590	2.44	1392	11834	2.44	1420	12078	2.44	1448	12200	2.42	1477
	43°F	11956	2.47	1421	12200	2.47	1449	12444	2.47	1478	12566	2.44	1508
	47°F	12200	2.47	1450	12444	2.47	1479	12688	2.46	1509	12810	2.44	1539
	53°F	13176	2.59	1494	13420	2.58	1523	13664	2.58	1554	13786	2.55	1585
	59°F	14030	2.68	1537	14274	2.67	1568	14518	2.66	1599	14640	2.63	1631
	64°F	13420	2.49	1581	13664	2.48	1612	13908	2.48	1644	14030	2.45	1677
70°F	12932	2.38	1595	13176	2.37	1627	13420	2.37	1659	13542	2.34	1693	
75°F	12078	2.20	1610	12322	2.20	1642	12566	2.20	1675	12688	2.18	1708	

*Maximum Output values are not based on AHRI test conditions

LEGEND:	W - Watts
	DB - Dry Bulb
	TC - Total Capacity
	SC - Sensible Capacity
	SHR - Sensible Heat Ratio
	COP - Coefficient of Performance

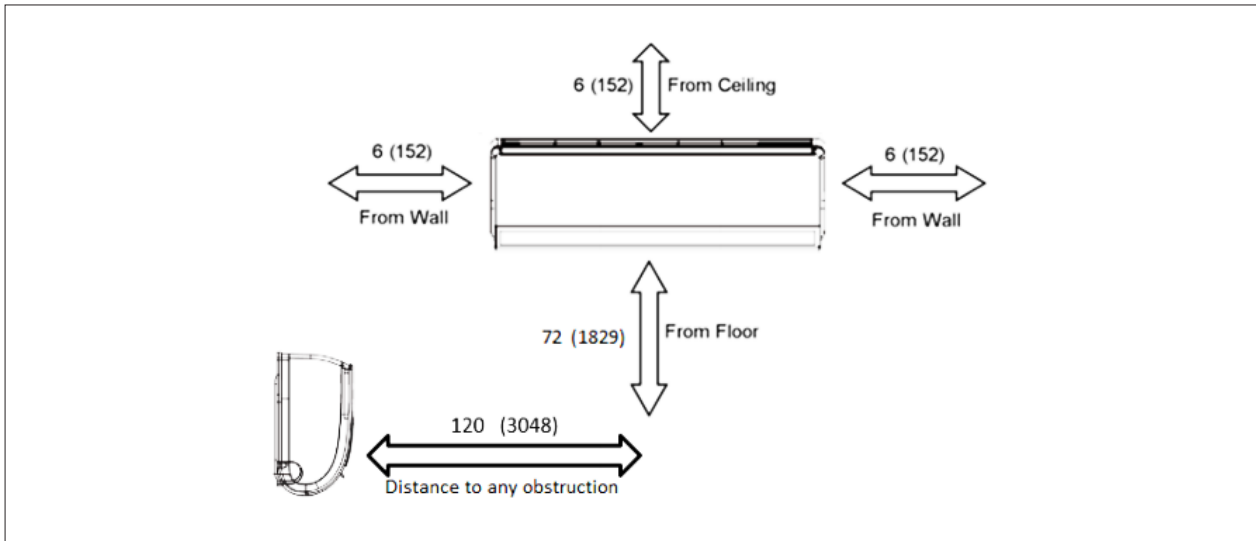


DIMENSIONAL SPECIFICATIONS: TW09HXCA1D

MINIMUM SPACING REQUIREMENTS

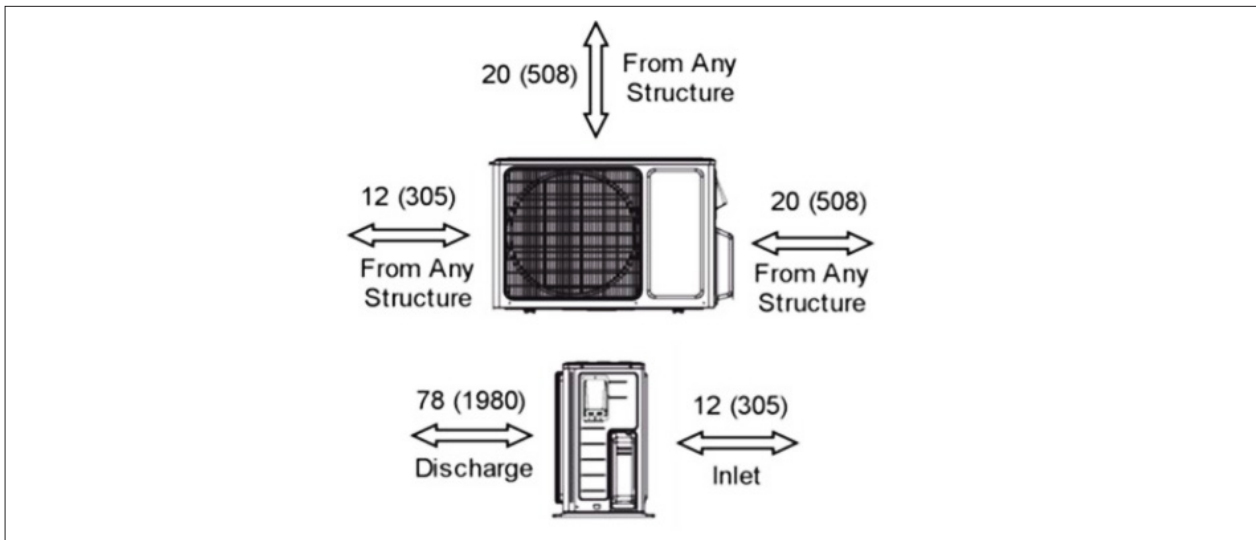
INDOOR

Units: inch (mm)



MINIMUM OUTDOOR CLEARANCES

Units: inch (mm)



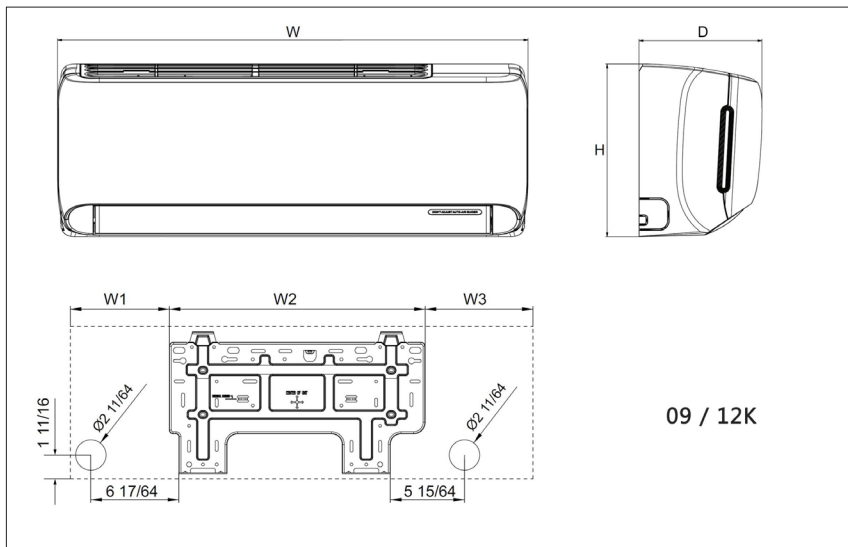
TOSOT

DIMENSIONAL SPECIFICATIONS: TW09HXCA1D

INDOOR UNIT DIMENSIONS

Model No: TW09HXCA1DI

Units: inch



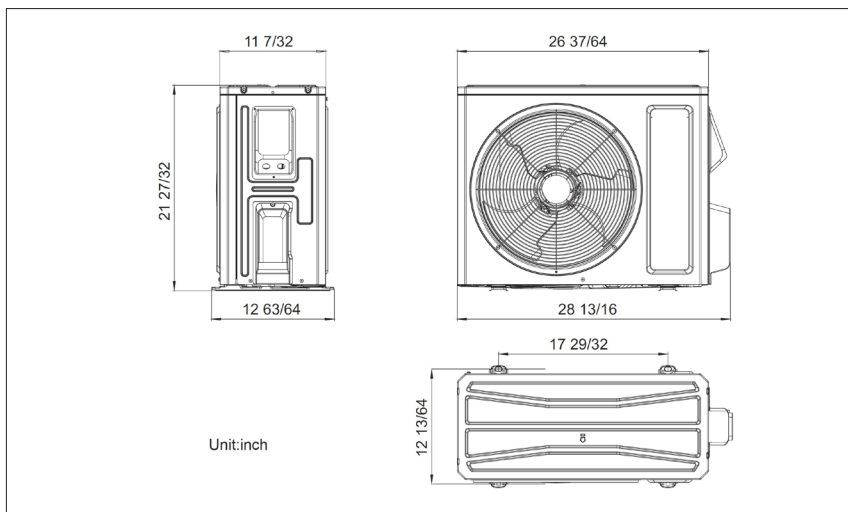
Dimensions	
D	7 7/8
H	10 53/64
W	32 7/8
W1	7 3/64
W2	18 5/32
W3	7 11/16

Weight (Net/Shipping) 19.8 / 24.3 LBS

Liquid Line Valve	1/4-in OD Flared
Gas Line Valve	3/8-in OD Flared
Drain Connector	5/8-in OD

OUTDOOR UNIT DIMENSIONS

Model No: TW09HXCA1DO



Weight (Net/Shipping) 56.2 /61.7 LBS

Liquid Line Valve	1/4-in OD Flared
Gas Line Valve	3/8in OD Flared

Notes:

1. Recommended Interconnecting Cable Type 14 AWG 4 Stranded Copper Conductors Wire.
2. Power wiring cable size must comply with applicable national and local codes.
3. Test conditions are based on AHRI 210/240.